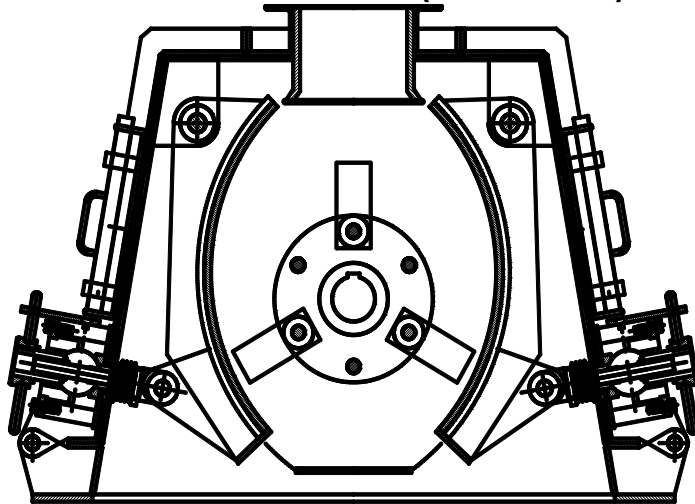


REVERSIBLE IMPACT HAMMER MILL(FOR DOC)



ADVANTAGES

- >Double Service life because of reversibility
- >High Reduction Ratios
- >No grate bars to clog or wear
- >Less maintenance & down time
- >Greater Adaptability to varying feed conditions

FEATURES

Body	Out of Heavy Steel Plates ribbed for strength.
Crushing Chamber Hammers	Made out of individual pieces of Steel Casting Made out of En-8 / En-9 as per application
Bearings	Extra Heavy Duty Self-Aligning Ball Bearing housed in heavy steel housings fitted with labyrinth seals.
Lubrication	Manually by standard grease gun.
Product Control	By adjusting the breaker plates to change crushing clearances.
Application	From light to medium hard material
Information needed to quote	+ Material to be crushed+ Capacity in TPH + Bulk density in Tons/Cu.M. + Feed & Product sizes.

CRUSHING DATA

Type	Rotor Dia mm	Rotor width mm	Approx. Motor HP	Maximum Feed size mm	Approx. Capacity Cu.m/Hr.
6040	600	400	15-20	50	2-3
6060	600	600	25-30	50	3-5

SYNAPSE ENGINEERING SERVICES

37-B, ANUPAM NAGAR, OLD PADRA ROAD, BARODA- 390 020 Ph.: 2356229, 2338346, FAX : -91-265-2356229, E-MAIL : synapse_engg@yahoo.com