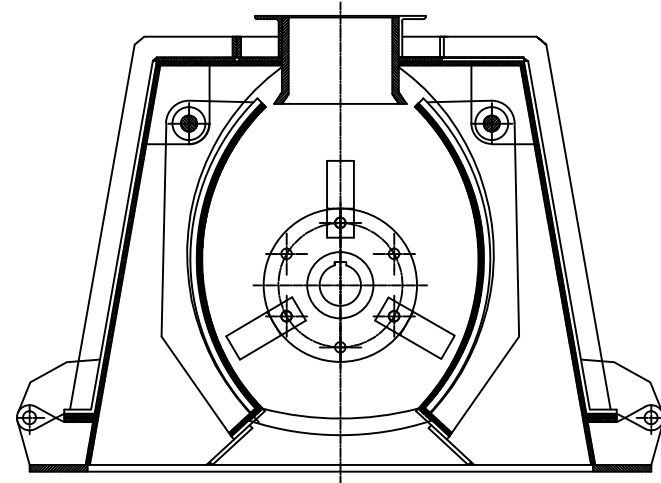
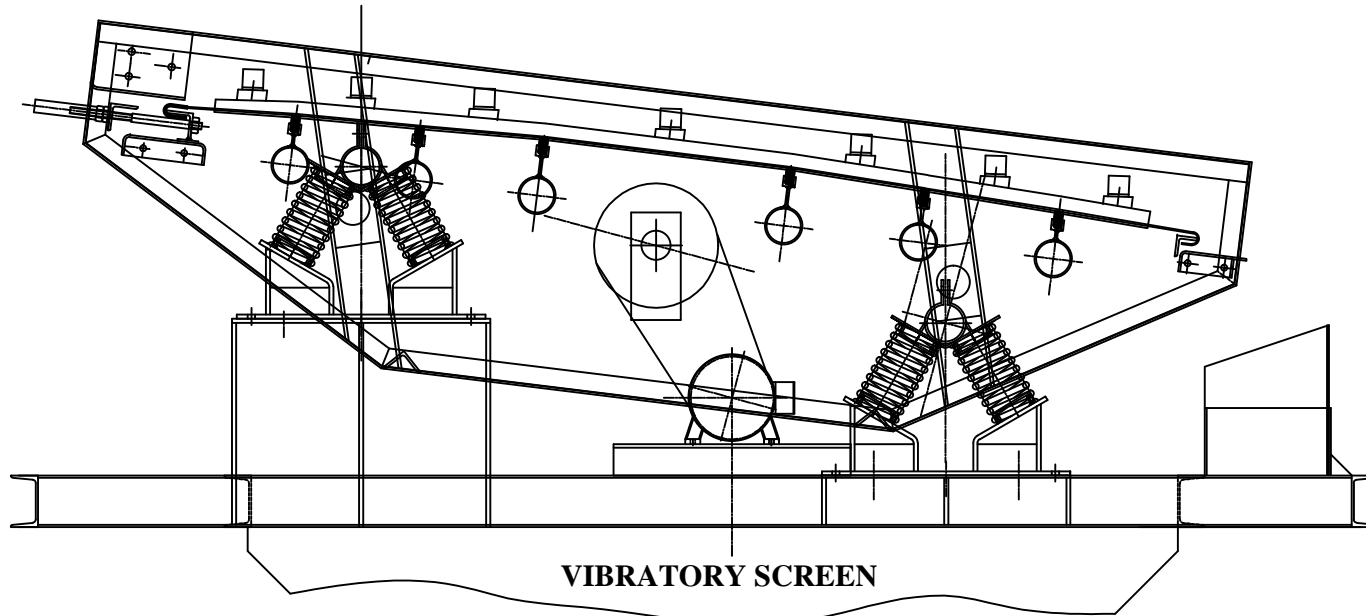


**REVERSIBLE IMPACT HAMMER MILL
(600 Ø x 600 Wide) FOR COAL AND
SEMI SOFT MATERIAL**



**REVERSIBLE HAMMER MILL FOR DOC
(600 Ø x 600 Wide)**



VIBRATORY SCREEN

**WE MANUFACTURE , CHAIN CONVEYORS, BELT CONVEYORS, SCREW CONVEYORS, BUCKET ELEVATORS, CRUSHERS,
VIBRATORY SCREENS, LUMP SEPARATORS, DISINTEGRATORS & MATERIAL HANDLING ON TURNKEY BASIS**

Synapse Engineering Services, 37-B, Anupam Nagar, Old Padra Road Vadodara-390020 (O):0265-2356229 (M):09426747384

Email: synapse_engg@yahoo.com

(We manufacture and supply in India and abroad)